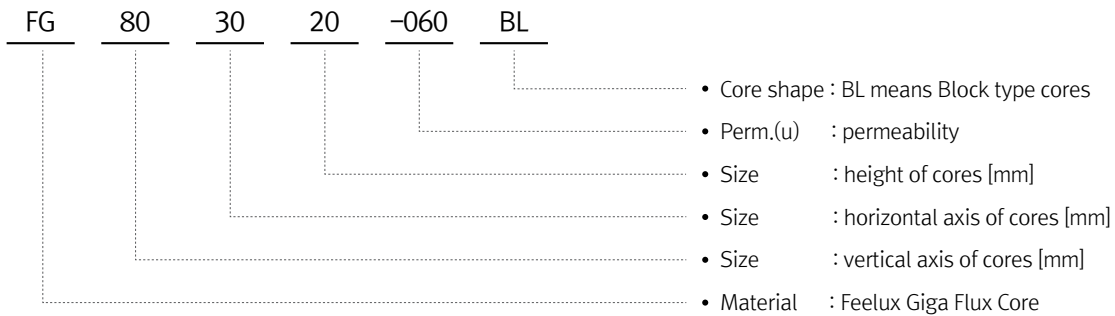


## Block Core series

### Identification of Feelux Block Core Series



Where,

W : Giga Flux Material [Fe / Si]

80 : 80mm

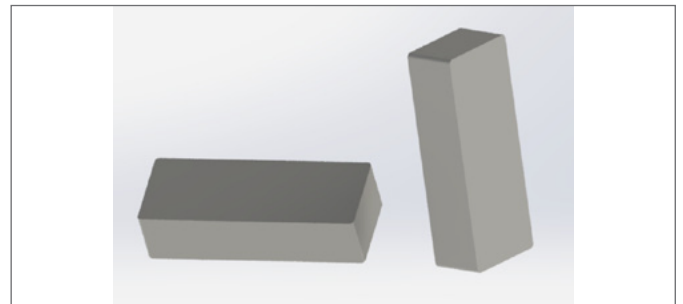
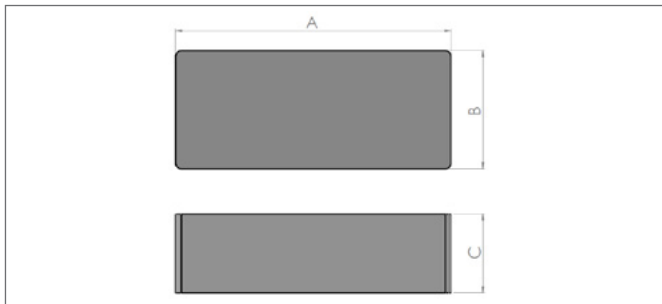
30 : 30mm

20 : 20mm

C : permeability 60

### Dimension specification of Feelux Block Core series

[Fig.1] mechanical out lines [unit : mm] about Block core series



[Table 2] shows out dimension specification of Block core series

P/N	Dimensions(mm)			Path length (cm)	Cross Section Area(cm <sup>2</sup> )	4PCS AL value (nH/n <sup>2</sup> ) ± 12%			
	A	B	C			26u	40u	60u	90u
503015	50.5	30.3	15	18.71	4.5	95	121	181	272
503020	50.5	30.3	20	18.28	6	130	165	247	371
603015	60.5	30.3	15	22.71	4.5	79	100	149	224
603020	60.5	30.3	20	22.28	6	107	135	203	305
703015	70.5	30.3	15	26.71	4.5	67	85	127	191
703020	70.5	30.3	20	26.28	6	91	115	172	258
704015	70.5	40.3	15	26.71	6	73	113	169	254
704020	70.5	40.3	20	26.28	8	99	153	230	344
803015	80.5	30.3	15	30.71	4.5	58	74	110	166
803020	80.5	30.3	20	30.28	6	78	100	149	224
804015	80.5	40.3	15	30.71	6	64	98	147	221
804020	80.5	40.3	20	30.28	8	86	133	199	299